



主轴静载
static load
4500 kg

最大载重
load
up to 1350 kg

最大速度
speed
up to 2,5 m/s

曳引轮
sheave
450 - 480 mm

自重
weight
up to 510 kg

额定扭矩 Nominal Torque	极数 Poles	编码器 Encoder	编码器线 Encoder Cable	绝缘等级 Insulation Class	可选项 Optional
670 Nm S5 - 40% ED	32	Haidenhain1387	7m	F	Motor power cable 7m
制动器 Brake					
DZD1-653 2x1270Nm-2x127W 2x1.15A-DC110V					

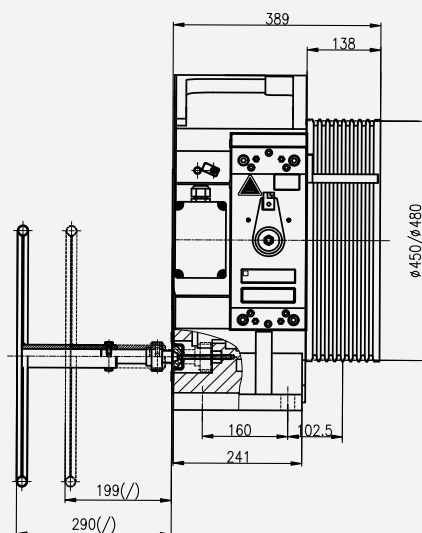
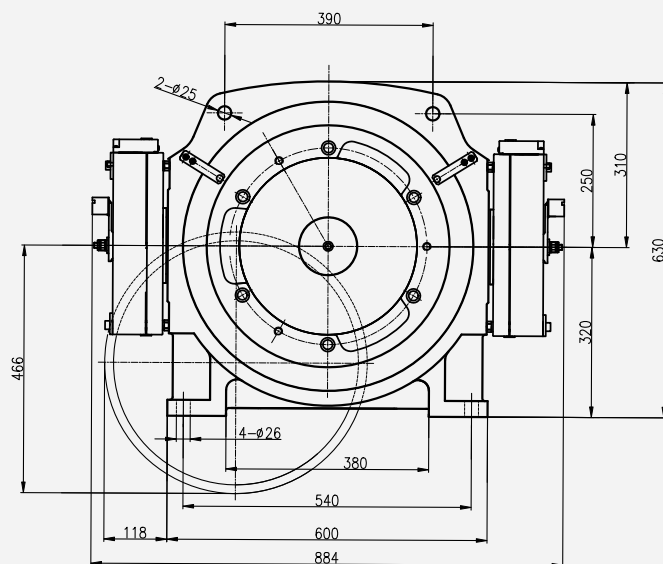
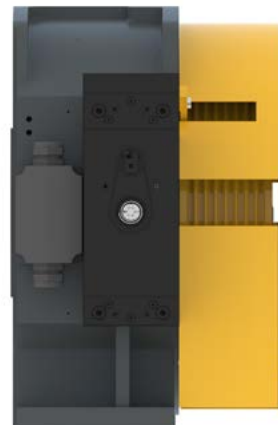
1:1	额定参数			电机 Motor					曳引轮 Sheave				代码 CODE	
	额定载重 Load	额定速度 Speed	额定扭矩 Torque	额定功率 Power	额定转速 RPM	额定频率 Freq.	额定电流 Current	额定电压 Voltage	Ø	绳槽 Rope*	切口角 Angle*			槽距 Pitch
	kg	m/s	Nm	kW	RPM	Hz	A	V	mm	n°	β	γ		mm
MF450	550	1.0	789	3.3	40	10.61	10.0	380	480	4xØ12	95°	35°	18	MF45055014801340
		1.5		4.9	60	15.92	13.0							MF45055014801.5340
		1.75		5.8	70	18.57	15.0							MF45055014801.75340
		2.0		6.6	80	21.22	17.0							MF45055014802340
	630	1.0	868	3.8	42	11.20	10.5		450	8xØ10	95°	35°	16	MF45063014501340
		1.5		5.8	64	17.07	14.3							MF45063014501.5340
		1.75		6.7	74	19.73	16.6							MF45063014501.75340
		2.0		7.7	85	22.67	19.0							MF45063014502340
	630	1.0	904	3.8	40	10.61	10.7		480	5xØ12	95°	35°	18	MF45063014801340
		1.5		5.6	60	15.92	13.9							MF45063014801.5340
		1.75		6.6	70	18.57	16.2							MF45063014801.75340
		2.0		7.5	80	21.22	18.5							MF45063014802340

2:1	额定参数			电机 Motor					曳引轮 Sheave				代码 CODE	
	额定载重 Load	额定速度 Speed	额定扭矩 Torque	额定功率 Power	额定转速 RPM	额定频率 Freq.	额定电流 Current	额定电压 Voltage	Ø	绳槽 Rope*	切口角 Angle*			槽距 Pitch
	kg	m/s	Nm	kW	RPM	Hz	A	V	mm	n°	β	γ		mm
MF450	1250	1.0	985	8.2	80	21.22	19.8	380	480	6xØ12	95°	35°	18	MF450125024801340
		1.5		12.3	119	31.83	29.1							MF450125024801.5340
		1.75		14.1	139	37.14	34.3							MF450125024801.75340
		2.0		16.4	159	42.44	39.0							MF450125024802340
		2.5		20.5	199	53.05	48.9							MF450125024802.5340
	1350	1.0	1065	8.9	80	21.22	21.3		450	7xØ12	95°	35°	16	MF450135024801340
		1.5		13.3	119	31.83	31.7							MF450135024801.5340
		1.75		15.5	139	37.14	36.9							MF450135024801.75340
		2.0		17.7	159	42.44	42.1							MF450135024802340
		2.5		22.2	199	53.05	53.0							MF450135024802.5340
	1250	1.0	924	8.2	85	22.67	19.0		450	8xØ10	95°	35°	16	MF450125024501340
		1.5		12.3	127	33.87	28.0							MF450125024501.5340
		1.75		14.4	149	39.73	33.0							MF450125024501.75340
		2.0		16.4	170	45.33	37.5							MF450125024502340
		2.5		20.5	212	56.53	47.0							MF450125024502.5340
	1350	1.0	998	8.9	85	22.67	20.5		450	8xØ10	95°	35°	16	MF450135024501340
		1.5		13.3	127	33.87	30.5							MF450135024501.5340
		1.75		15.5	149	39.73	35.5							MF450135024501.75340
		2.0		17.7	170	45.33	40.5							MF450135024502340
		2.5		22.2	212	56.53	51.0							MF450135024502.5340

1 - 数据如有更改，恕不另行通知
1 - Data are subject to change without prior notice

曳引轮绳槽数量和切口角可根据客户需求定制
* Rope groove number, β and γ angles can be customized upon request

	代码 - Code	配件 - Accessories
无机房 MRL	ACMF000010	远程松闸装置-7米松闸线 Remote Manual Release - 7 m wire
	ACMF000013	远程松闸装置-10米松闸线 Remote Manual Release - 10 m wire



(/) Means without flywheel

